

LYNGDORF AUDIO LCR-2

OWNER'S  
MANUAL

## Content

COMPLIANCE.....	3
INTRODUCING THE LCR-2 .....	4
UNPACKING THE LCR-2 .....	5
INSTALLING THE LCR-2 WITH THE PROVIDED WALL MOUNT.....	6
PLACEMENT IN THE ROOM .....	7
ATTACHING AND REMOVING THE FRONT AND TOP COVERS.....	8
TECHNICAL SPECIFICATIONS .....	9
SERVICE INFORMATION .....	10

## Compliance

### WEEE

The European Parliament and the Council of the European Union have issued the Waste Electrical and Electronic Equipment Directive. The purpose of the Directive is to prevent waste of electrical and electronic equipment and to promote reuse, recycling, and other forms of waste recovery. Steinway Lyngdorf products and the accessories packed with them are subject to the WEEE Directive. Please dispose of any waste materials in accordance with your local recycling regulations. Products and equipment which must be collected for reuse, recycling, and other forms of recovery are marked with the icon of the crossed-out waste receptacle.



### FCC

Steinway Lyngdorf products and accessories comply with parts 15 and 68 of the FCC rules. Operation is subject to the following two conditions: (1) this device may not cause harmful interference; and (2) this device must accept any interference received, including any interference that may cause undesired operation. Changes or modifications not expressly approved by the party responsible for compliance could void the user's authority to operate the equipment. Equipment marketed to a consumer must be capable of complying with the necessary regulations in the configuration in which the equipment is marketed.



## Safety Warning - Physical Handling

The LCR-2 loudspeakers are very heavy. Follow all instructions for unpacking and installation. Use ergonomically correct body positions. Be careful not to unbalance or drop the speakers during handling. Lyngdorf Audio cannot be held responsible for any physical damage which occurs during the installation.



## **Introducing the LCR-2**

Thank you for purchasing the Lyngdorf LCR-2 loudspeaker.

Designed and made in Skive, Denmark, the LCR-2 is a loudspeaker that has been specially designed for on-wall placement to ensure a visually and acoustically ideal room integration.

When using the LCR-2 together with a Lyngdorf amplifier or processor, the RoomPerfect™ technology calibrates the speaker acoustically to the room, achieving an even better sound performance.

## **Unpacking the LCR-2**

### Unpacking the loudspeaker

1. Move the LCR-2 still boxed in its packaging near the final placement of your listening room.
2. Open the LCR-2 cardboard box, lift the LCR-2 up and remove the foam pads and protection bag.
3. Place the LCR-2 upside-down on a non-scratching surface to connect the speaker wires later.

Check the speaker immediately for shipping damage. Contact both the shipper and your local Lyngdorf Audio representative immediately if the unit bears any sign of damage.

In some cases, it may be necessary to return the equipment to Lyngdorf Audio or an authorized service provider for repair; therefore, it is recommended that you save your original packing materials. If this unit is shipped without the original packing, damage could occur and void the warranty.

### Checking the inventory

Check to ensure that all necessary product components have been delivered. Report all discrepancies to your local Lyngdorf Audio representative immediately.

### **In the speaker package:**

- 1 x LCR-2 loudspeaker
- 1 x Owner's Manual
- 1 x Wall mount

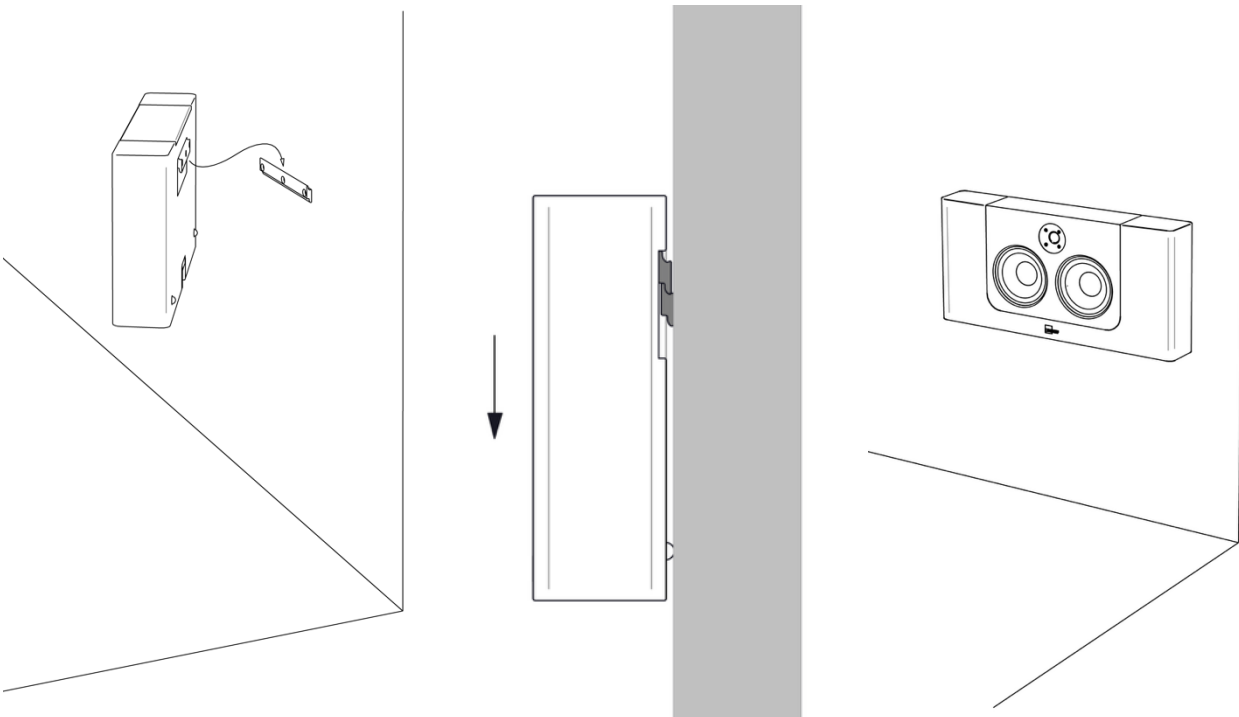
## Installing the LCR-2 with the provided wall mount

The LCR-2 comes with a wall-mount bar and wall spacers attached to the backside of the cabinet.

**Note:** Always choose screws and dowels matching the wall material, the wall construction, and the weight of the LCR-2.



1. Attach the provided wall mount to the wall using suitable wall screws and dowels (not provided). Make sure the wall mount bar is level.
2. Connect the + speaker wire to the speaker's red binding post and the – speaker wire to the black binding post. Make sure the amplifier is switched off during installation.
3. Lift the speaker up, move it closer to the wall, position it slightly above the wall mount until it touches it. Carefully move the speaker down until the two wall mount parts align and the speaker holds.

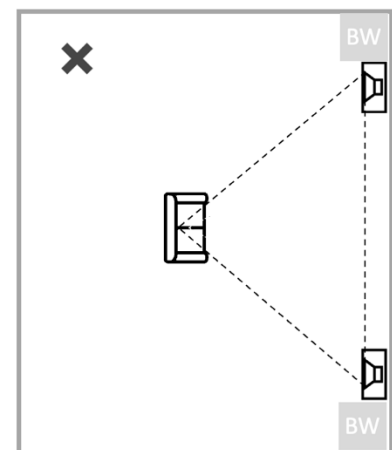
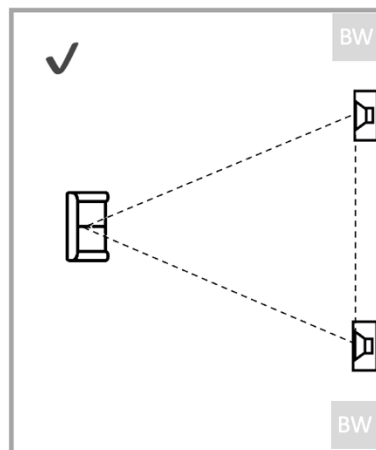
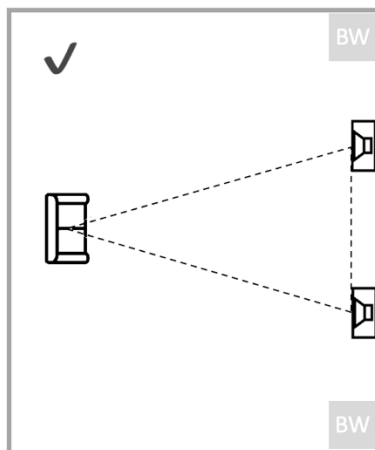
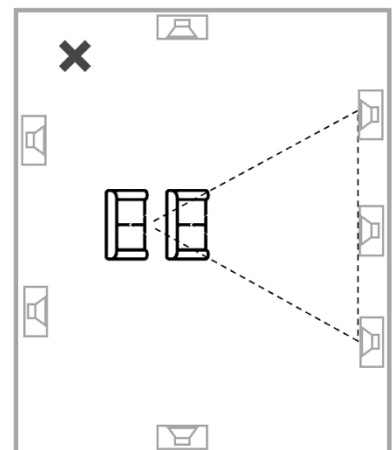
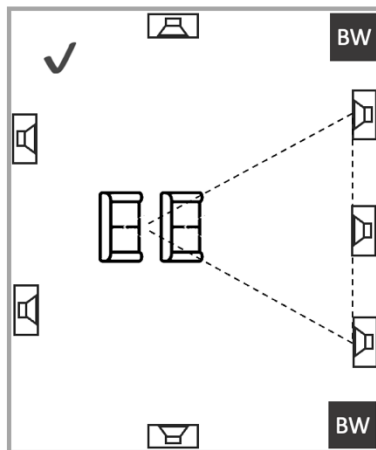
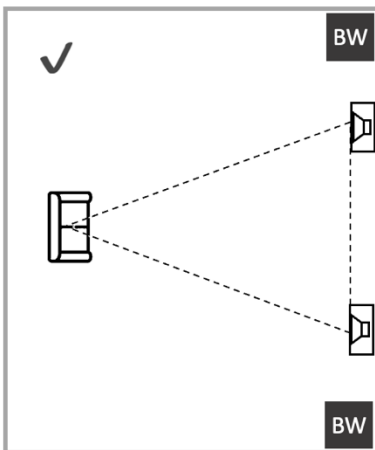


## Placement in the room

### General advice

Any speaker placement in the room affects the sound performance. Some care should be taken to achieve the best sound performance.

- The LCR-2 was designed and acoustically tuned for on-wall placement.
- The LCR-2 requires additional boundary woofers or subwoofers for the bass and LFE.
- The LCR-2 can be used as a center channel speaker, surround speaker, or front left, center, right.
- When used as front speakers without a center channel, the stereo width (the distance between the left and right LCR-2) should not be too wide.
- The best result is achieved when using the LCR-2 with a Lyngdorf amplifier or processor and its RoomPerfect™ room calibration. When not using RoomPerfect™, the best speaker position in the room can be determined by listening to music, aiming for the most balanced sound and a defined sound image between the speakers.



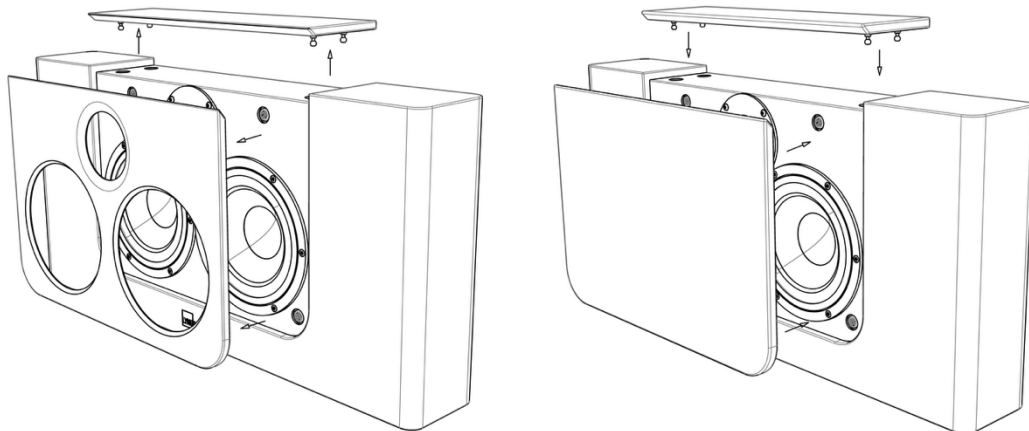
## Attaching and removing the front and top covers

### Removing the front and top baffles and optional fabric covers

1. Carefully lift the top cover at one corner, then lift the whole panel up.
2. Carefully lift the front cover at one corner, then lift the whole panel up.

### Attaching the front and top baffles and optional fabric covers

1. Carefully align the four front cover pins over the four holes, then press until the cover fits.
2. Carefully align the four top cover pins over the four holes, then press until the cover fits.  
Note the direction of the top cover with the angled edge towards the front.



## Technical specifications

<b>Description:</b>	2-way on-wall loudspeaker
<b>Power handling:</b>	250 W (IEC)
<b>Tweeter:</b>	1 x 28mm / 1.1" Fabric soft dome
<b>Midrange driver:</b>	2 x 180 mm / 6.5", aluminum cone, 35 mm voice coil, vented magnet, vented die-cast aluminum basket
<b>Frequency response:</b>	80 – 20.000 Hz (-3dB)
<b>Enclosure:</b>	Closed cabinet, MDF construction, internally braced
<b>Nominal impedance:</b>	4 Ohm (min. 3.7 Ohm)
<b>Maximum SPL:</b>	117 dB (1m, peak)
<b>Sensitivity:</b>	92 dB (2.83V/1m)
<b>Crossover frequency:</b>	1.7 kHz
<b>Connections:</b>	Binding posts, gold plated
<b>Recomm. placement:</b>	On-wall with supplied wall mount
<b>Dimensions (W x H x D):</b>	66 x 32 x 11 cm 26 x 12.6 x 4.33 inches
<b>Weight:</b>	10,8 kg / 23.8 lb
<b>Available finishes:</b>	White/white, black/black, mocca/mocca, white/black, white/mocca, black/mocca
<b>Optional front baffles:</b>	White, black, mocca
<b>Optional fabric covers:</b>	Midnight grey, Light grey

## **Service information**

### **Service and Warranty**

To obtain warranty service, you must contact your original dealer or the Lyngdorf Audio distributor of the region or country where you are located. If you have trouble locating an authorized representative, please find contact information at [www.steinwaylyngdorf.com](http://www.steinwaylyngdorf.com)

Steinway Lyngdorf

Rævevej 3

DK-7800 Skive

Denmark

In some cases, it may be necessary to return the equipment to Steinway Lyngdorf or an authorized service provider for repair; therefore, it is recommended that you save your original packing materials. Steinway Lyngdorf will not be responsible for any damage due to unauthorized packing or shipment in non-original packing materials. If return is made in authorized packaging, risks are borne by Steinway Lyngdorf. Additional charges may occur if new packing materials are required for return shipment.

**Please check the latest version and other languages of this printed manual on our website:**

[www.steinwaylyngdorf.com](http://www.steinwaylyngdorf.com)



